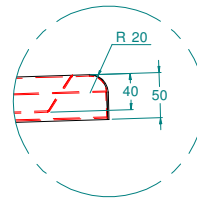
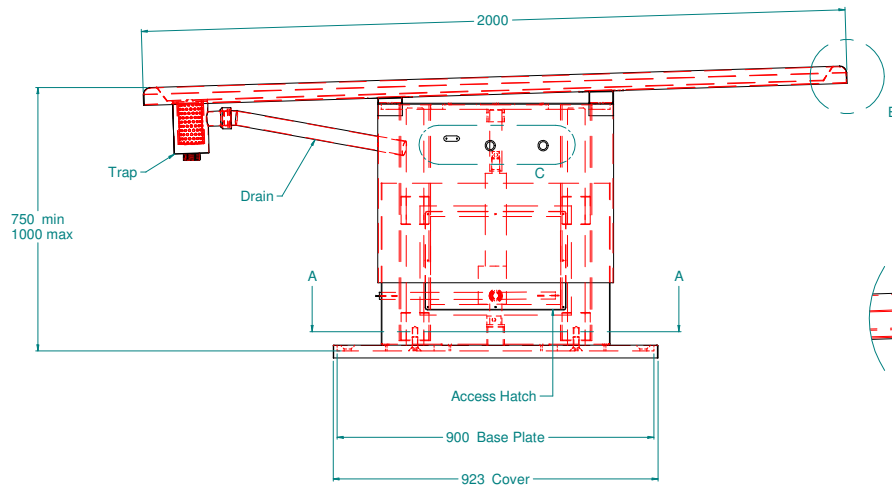
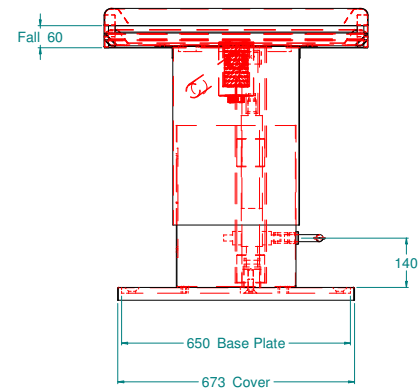


Blanking for taps - DETAIL C



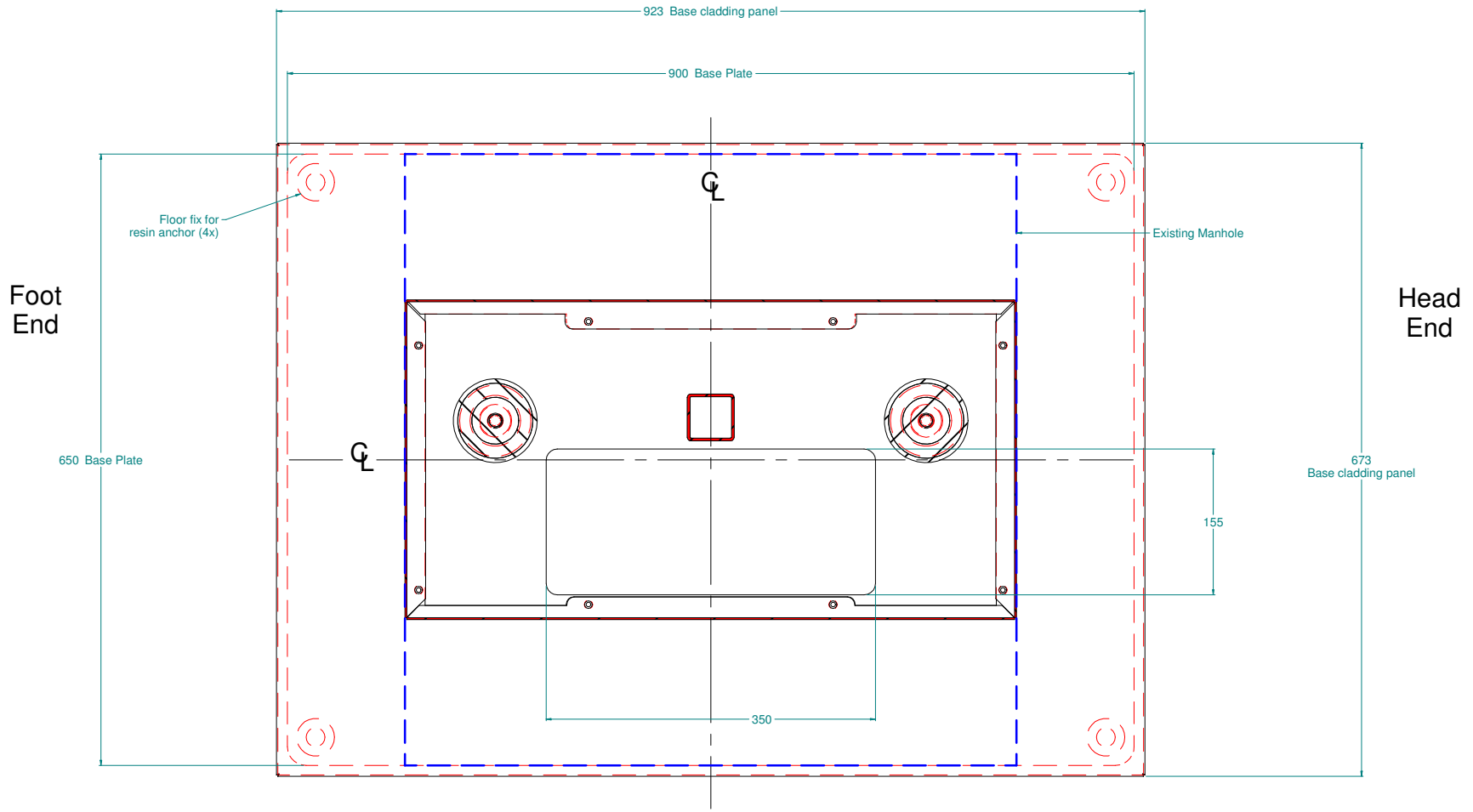
DETAIL B



Surface fix plinth requires level floor +/- 1mm level

Notes: Unless Otherwise Specified

		Tolerances Unless Otherwise Specified		Material		Drawn DB		 LEEC LIMITED PRIVATE ROAD No 7 COLWICK INDUSTRIAL ESTATE NOTTINGHAM, NG4 2AJ	
		Fabrication ± 0.30 Machining ± 0.05 Angles ± 0.50°		Grade 304 Stainless Steel		Date 26/06/08 Sht 1 of 2			
		Dimensions in mm Remove all burrs and sharp edges		Finish		Date		Description	
		Third Angle Projection		Brushed (Grained)		This document and the information contained in it must not be disclosed and must not be reproduced in whole or in part without the written authorisation of Leec Limited		Pedestal PM Table - Manual	
C		14/08/08		Size		Computer Generated Drawing Do Not Revise Manually Do Not Scale		Client	
B		06/08/08		A3				Woodvale - Brighton	
Revision		Chg Doc		Date				Drg No. 60193-3	
								Rev C	
								Scale	



SECTION A-A

Fixings - Resin 150 x 16mm

Notes: Unless Otherwise Specified

			Tolerances Unless Otherwise Specified Fabrication ± 0.30 Machining ± 0.05 Angles ± 0.50° Dimensions in mm Remove all burrs and sharp edges		Material Grade 304 Stainless Steel	Drawn DB Date 26/06/08 Sht 2 of 2 Approved	LEEC LIMITED PRIVATE ROAD No 7 COLWICK INDUSTRIAL ESTATE NOTTINGHAM, NG4 2AJ
			Finish Brushed (Grained)		Date:	Description Pedestal PM Table - Manual	
Revision Chg Doc Date C 14/08/08 B 06/08/08			Third Angle Projection		Size A3 Computer Generated Drawing Do Not Revise Manually Do Not Scale	This document and the information contained in it must not be disclosed and must not be reproduced in whole or in part without the written authorisation of Leec Limited	Client Woodvale - Brighton
					Drg No. 60193-3		Rev C Scale